

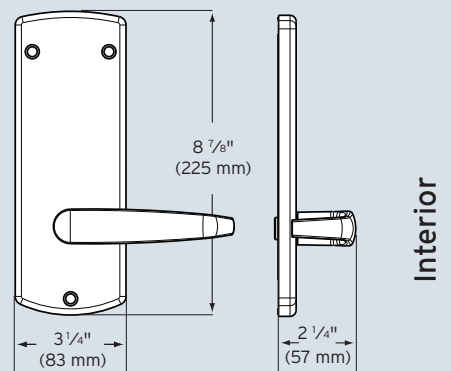
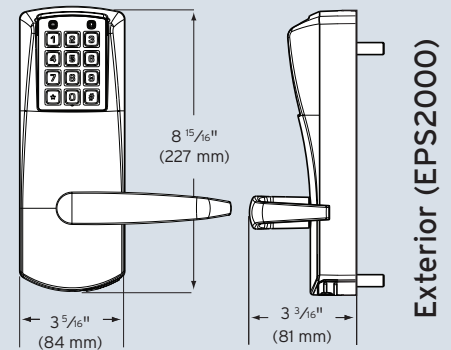
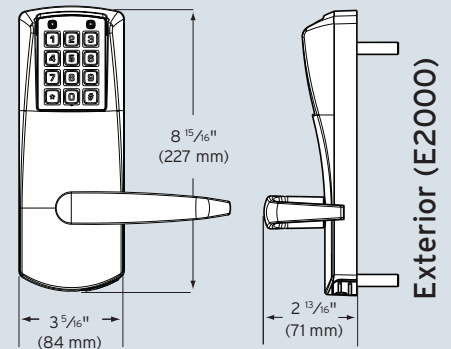
E-Plex[®] 2000 Series Specification (Including PowerStar[™] Option)



Features

Access Control:	<p>Electronic pushbutton lock—eliminates problems and costs associated with issuing, controlling and collecting keys, and cards. Provides exterior access by PIN code, while allowing free egress.</p> <p>The E-Plex 2000 series of locks are available in two different power configurations:</p> <p>E2000—locks are powered by 3 AA batteries that load into a slide-up battery tray in the outside housing which eliminates wires through the door and allows for continuous operation up to 100,000 cycles.</p> <p>EPS2000—PowerStar[™] locks are self-powered electronic locks that do not require batteries or other power sources. The lock generates its own power with every turn of the lever, making it the most efficient and versatile electronic lockset available with virtually no maintenance costs.</p>
No Wires:	Requires no wiring to or through the door—eliminates risk of damage from pinched wires that can result in costly callbacks
Locking Device Options:	<ul style="list-style-type: none"> • Cylindrical: Cylindrical latch with 3-hour UL/ULC fire rating • Exit Device: Compatible with most leading brands of Exit Devices; See list under "Exit Device Compatibility" (Exit Device and Mounting Hardware not included) • American Standard Mortise: With 1 1/4" (32 mm) face plate; with and without deadbolt, auto deadbolt also available
Number of Codes:	Multiple Users—100 Codes

Cylindrical Dimensions



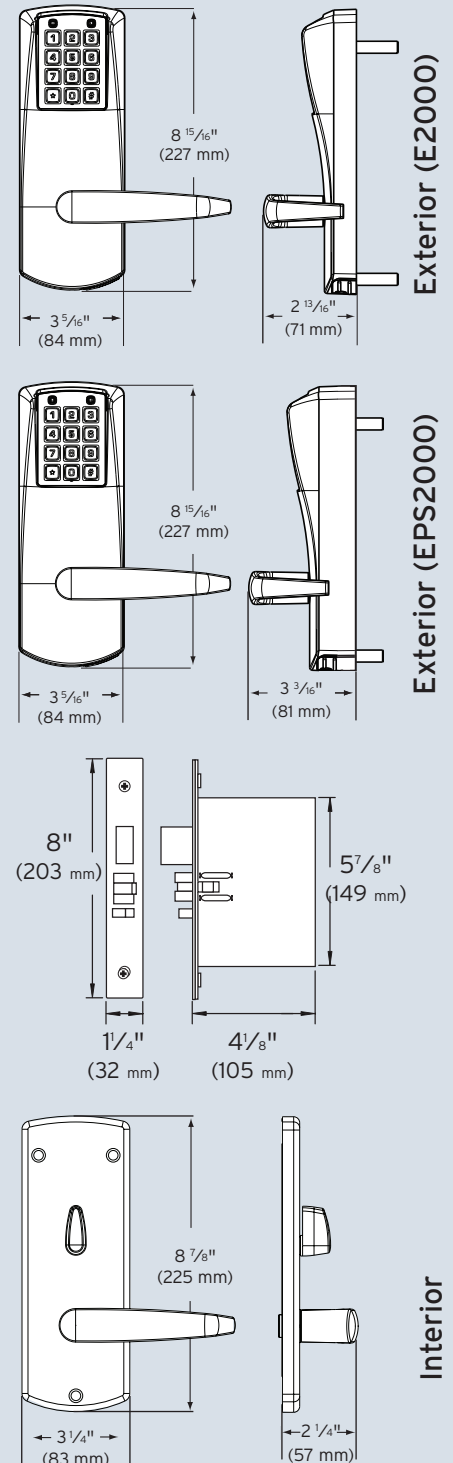
Features (Continued)

Audit Trail:	The most recent 1,000 lock events are recorded in memory including use of the mechanical key override. Software is required to view audit events.
Programming:	Locks are programmed via keypad or with <i>optional</i> Microsoft Excel™ based software—simplifies management of doors and users as facility's number of users and access points grow
Handing:	Non-handed; pre-assembled for left-hand door installations—easily changed in the field
Key Override (Optional):	<ul style="list-style-type: none"> • Optional Key-in-Lever cylinder in Schlage "C" Keyway with black Kaba cap • Small format—Best and equivalent (6 or 7-pin length)
Operation Modes:	<ul style="list-style-type: none"> • PIN access • Passage—can be toggled on/off or on E2000 only, can be pre-programmed to re-lock after a certain number of hours • Lockout
Authority Levels:	<p>Four different levels allow you to control who has access to specific lock functions, including:</p> <p>Master Level—performs all set-up and programming functions</p> <p>Manager Level—administers common programming functions</p> <p>Access User Level—entry granted with valid PIN</p> <p>Service Level—codes for single event or single day access, programmable in advance</p> <p>Maintenance Level—no access is granted, but information can be uploaded/downloaded to/from the lock</p>
User Parameters:	<p>Code length—Adjustable to accept 4-to-8 digits</p> <p>Anti-tamper lockout—Adjustable from 3-to-9 invalid attempts with an adjustable period of 0-to-90 seconds</p> <p>Re-lock time—Adjustable from 2-to-20 seconds</p>
Lock Power:	<p>Battery Powered (E2000 Series)—Batteries located in outside housing; offers quick and easy battery replacements (Three AA Alkaline batteries provide up to 100,000 cycles); lock data is maintained if batteries fail.</p> <p>Self Powering (EPS2000 Series)—Kaba's Patented PowerStar™ technology supplies power for all electronic lock functions including programming users at the keypad without ever having to change batteries. With just a turn of the lever, a valid code can be entered and access is granted.</p>

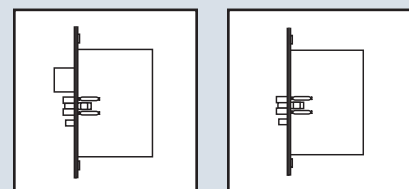
Mechanical Features

Construction:	Heavy-duty commercial Grade 1 lockset, solid cast exterior housing, solid cast levers, cylindrical drive wear tested for extensive use in indoor and outdoor applications
Numeric Keypad:	Vandal resistant, solid metal pushbuttons

Mortise Dimensions



Optional Features



• Deadbolt

• No Deadbolt

Mechanical Features (Continued)

Handing:	Non-handed, pre-assembled for left hand door installation—easily changed in the field
Backset:	Cylindrical: 2 3/4" (70 mm) backset, 2 3/8" (60 mm) backset Mortise: 2 3/4" (70 mm) backset Exit Trim Model: Varies by exit device
Latches:	Cylindrical Models: 1/2" (13 mm) throw latch, Mortise Models: 3/4" (19 mm) latch, 1" (25 mm) deadbolt (optional) and auto deadbolt (optional)
Minimum Stile Required:	5" (127 mm)
Weight:	E2000 -8 lbs (3.63 kg) EPS2000 -9.25 lbs (4.20 kg)

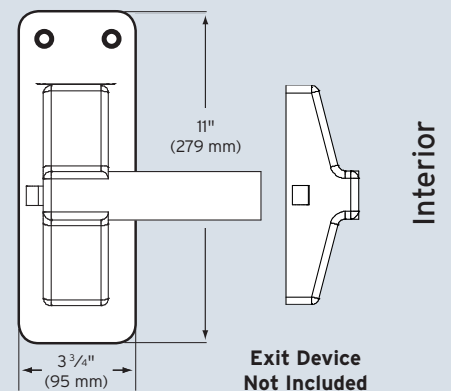
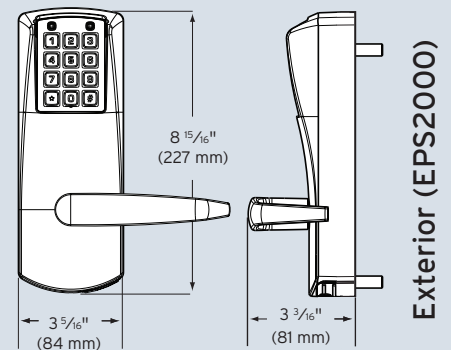
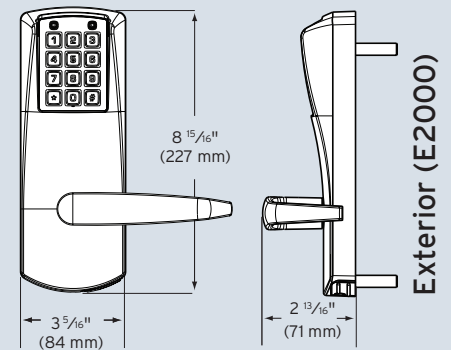
Key Override Options

Key-in-Lever Cylinder:	Kaba 1539 6-pin cylinder—Schlage "C" Keyway
Interchangeable Core:	Small format—Best and equivalent (6 or 7-pin length); cylinder not included

Installation

Ease of Installation:	No wiring to or through the door—no risk of pinched wires
Door Preparation:	Cylindrical and Exit Trim -ASA 161 (<i>Easily installs on door preparation with three additional through bore holes (wood or metal doors)</i>) Mortise -ASA 86 door preparation with three additional through bore holes
Door Thickness:	Cylindrical Model: 1 3/8" (35 mm) to 2 1/2" (64 mm); pre-assembled to accommodate doors 1 5/8" (41 mm) to 2" (50 mm)
Exit Trim and Mortise Models:	1 3/4" (44 mm) to 2 1/4" (57 mm). Pre-assembled to accommodate doors 1 3/4" (44 mm) to 2 1/8" (54 mm)
Items Supplied	Cylindrical and Mortise -Lock assembly, installation manual, template, quick reference guide, operations manual, and required hardware Exit Trim -Lock assembly, installation manual, template, quick reference guide, operations manual, and required hardware. Exit Device and mounting hardware not included
Additional Items Supplied with Key-in-Lever Models Only:	Includes Universal Kaba 1539 6-pin cylinder in Schlage "C" Keyway with two nickel silver keys

Exit Trim Dimensions



Exit Device Compatibility

Detex Rim # F1001
 Detex Surface Vertical Rod #s 20/F20
 Dorma Rim # F9300
 Precision Rim #s 21/FL21
 Precision Surface Vertical Rod #s 22/FL22
 Von Duprin Concealed Vertical Rod #s 9847/9947
 Von Duprin Mortise #s 9875/9975
 Von Duprin Rim #s 89/99
 Von Duprin Surface Vertical Rod #s 9827/9927
 Yale Concealed Vertical Rod #7160
 Yale Rim #7100

Certification and Testing

Accessibility Americans with Disabilities Act (ADA)

Standard:

Durability: ANSI/BHMA Grade 1 certified (A156.25, A156.2, A156.13, A156.3)

Fire Rating: UL 10C Fire rated

Environmental: Indoor/Outdoor Approved; -31° F (-35° C) to + 130° F (55° C)

Warranty

Warranty: Two-year warranty from date of installation; built-in warranty counter in lock memory

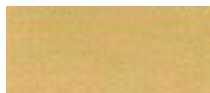
Available Finishes

Standard Finish: Satin Chrome 26D (626) housings and levers

Optional Finish: Satin Brass 04 (606) housings and levers



Satin Chrome



Satin Brass

Disclaimer: While reasonable efforts were made to ensure the accuracy of this document at the time of printing, Kaba assumes no liability for any errors or omissions. This information is subject to be revised without notice, and changes may be incorporated in future releases.

KAA1069 1011